
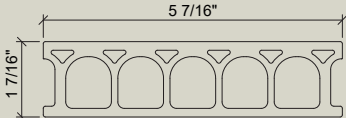

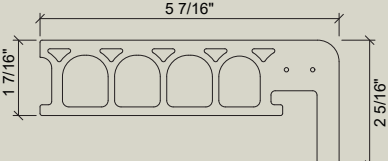


# PROFILE'S SECTION



DT13835		
DT13858		

The external dimensions listed are nominal values. The weights of the planks indicated in the tables are indicative and not binding. Length tolerances according UNI EN-ISO 22768: class UNI EN-ISO 22768-vL. Refer to Woodn Technical Department or on website [www.woodn.com](http://www.woodn.com) for cad blocks and manufacturing/cutting tolerances.

## Planks dimension and logistic

	DT13835	DT13858
Dimensions of the plank	5"7/16 x 1"7/16 x 6'	5"7/16 x 2"5/16 x 6'
Incidence	2,20 ft/sqft	-
Weight of a plank	~ 9.50 lb	~ 13.30 lb

## Size of the joints

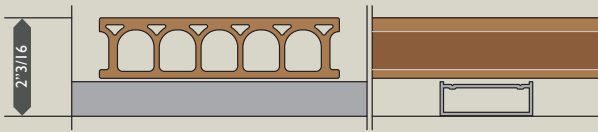
The size of the joints depends on the type of clip used, as follows:

Clip model	Joint size [inch]
Stainless steel clip (code ZCLW-KKDT13835_4024_4.2)	Approximately 3/16" *
Plastic clip (code ZCLW-WADT13835-ST)	Approximately 3/16" *

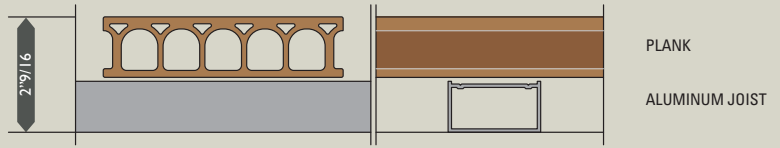
\*IMPORTANT: The dimensions shown are approximate and may vary depending on the accuracy, tolerance and method of installation.

## System height

LAYING ON ALUMINUM JOISTS 2"3/16 x 1"13/16 (W x H)

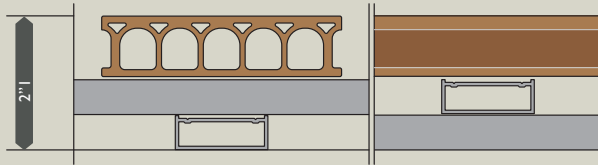


LAYING ON ALUMINUM JOISTS 2"3/16 x 1"3/16 (W x H)

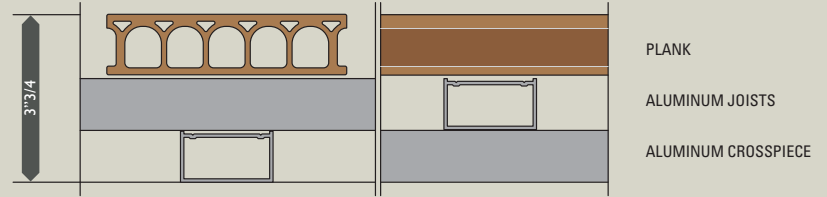


PLANK  
ALUMINUM JOIST

LAYING ON ALUMINUM JOISTS AND CROSSPIECES 2"3/16 x 1"13/16 (W x H)  
WITH SUPERIMPOSED FRAME



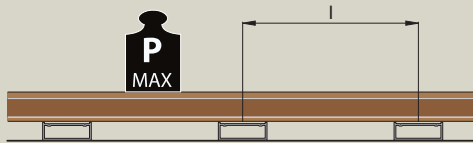
LAYING ON ALUMINUM JOISTS AND CROSSPIECES 2"3/16 x 1"3/16 (W x H)  
WITH SUPERIMPOSED FRAME



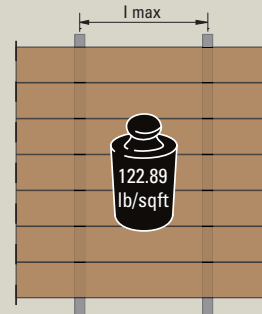
PLANK  
ALUMINUM JOISTS  
ALUMINUM CROSSPIECE

## Laying instructions

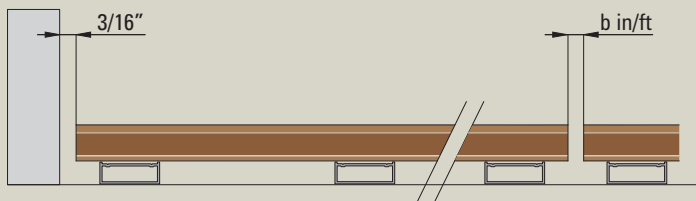
	Maximum centre-to-centre joists distance [in] $l_{max}$	Maximum load on a single plank [lb] $P_{max}$
Woodn™ Aeternus DT13835	16" o.c.	265



The aeternus floor is suitable for foot traffic, but not vehicle traffic.

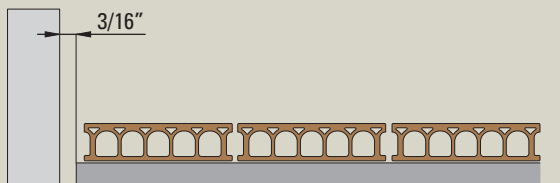


Load distributed over 1 sqft



The minimum distance between the ends of the plank and the wall must be at least 3/16" inch.

The minimum distance between the ends of two consecutive planks must be equal to "b" inch per foot of plank length, as indicated in the table.



The distance between the joist and the wall must be at least 3/16" regardless of the width of the surface.



Position the joist no more than 1" inch from the end of the plank.