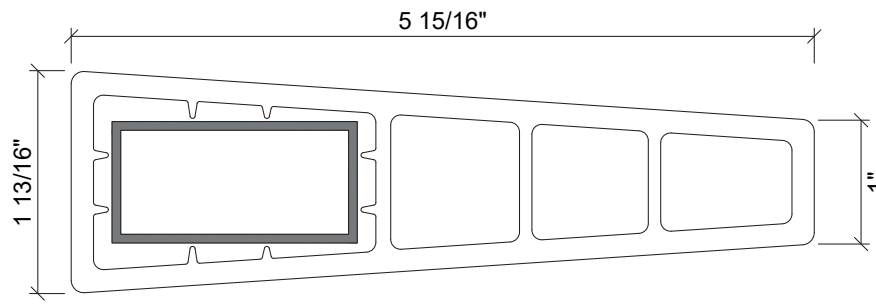


JF15045-25



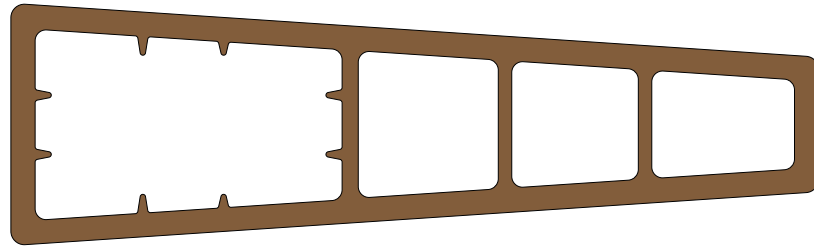
Woodn recommends to refer only to the values expressed in mm - the US values are to be considered approximate).



profile code	reinforcement dimensions [ft, in]	side [ft, in]	maximum horizontal span [inch]		maximum vertical span [inch]	
			aluminum	steel	aluminum	steel
JF15045-25	50 x 25 x 2 mm (≈ 2" x 1" x 5/64")	≈ 5"15/16	≈ 75"	≈ 106"	≈ 86"	≈ 110"
		≈ 1"13/16	≈ 71"	≈ 86"		

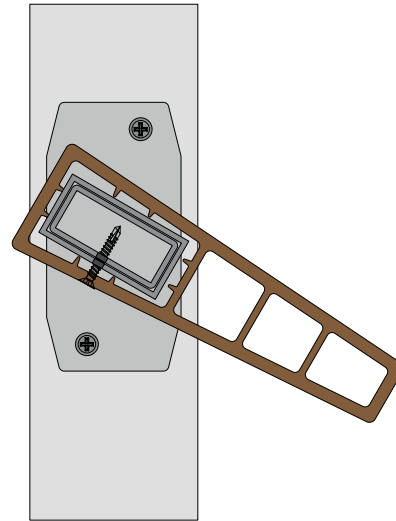
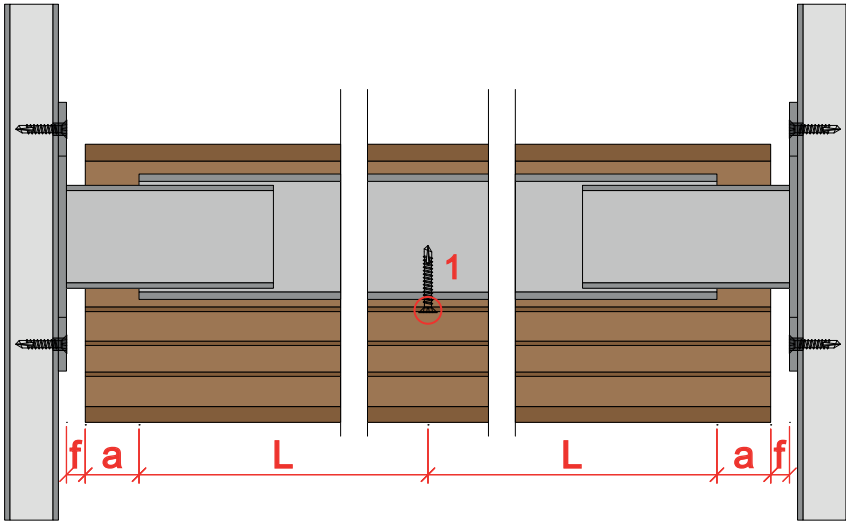
Maximum spans calculated considering:

- maximum permanent deformation due to own weight 1/8"
- maximum non-permanent deformation 1" 3/16 considering a standard wind load of 30.73 pound/ft²

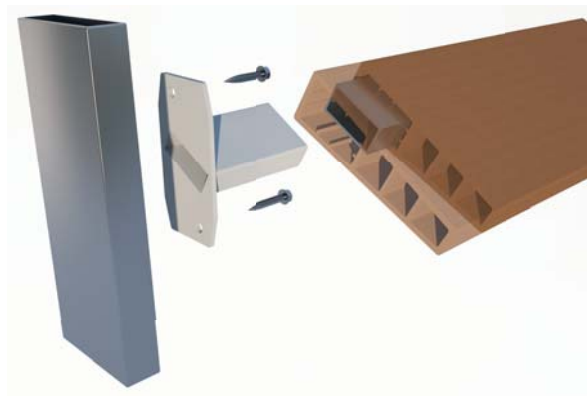
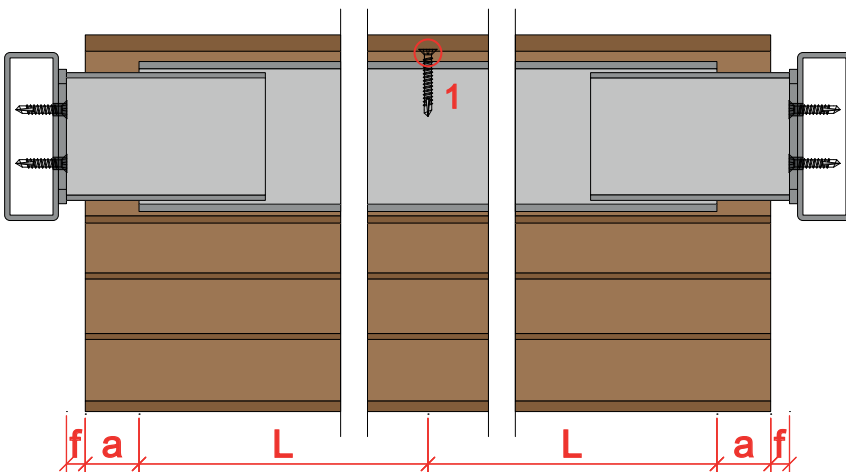


front section

vertical section



$a = 13/16''$
 1= FIXED POINT - \varnothing hole = \varnothing screw
 $f = L \times 0.003$ [ft, in]

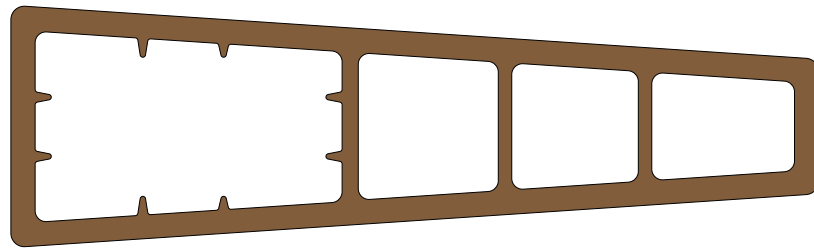


*brackets available on request

horizontal section

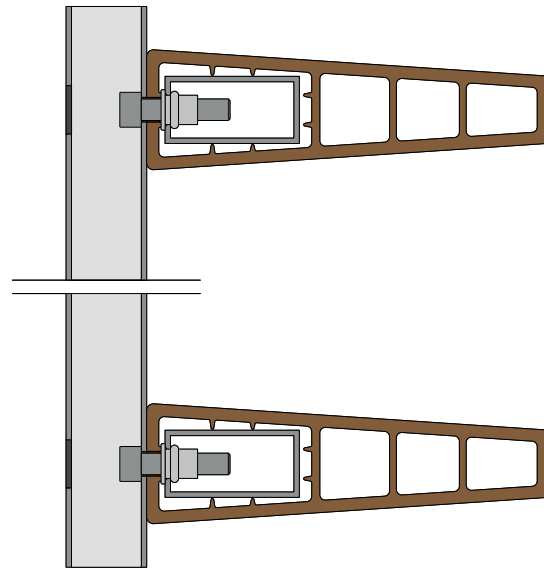
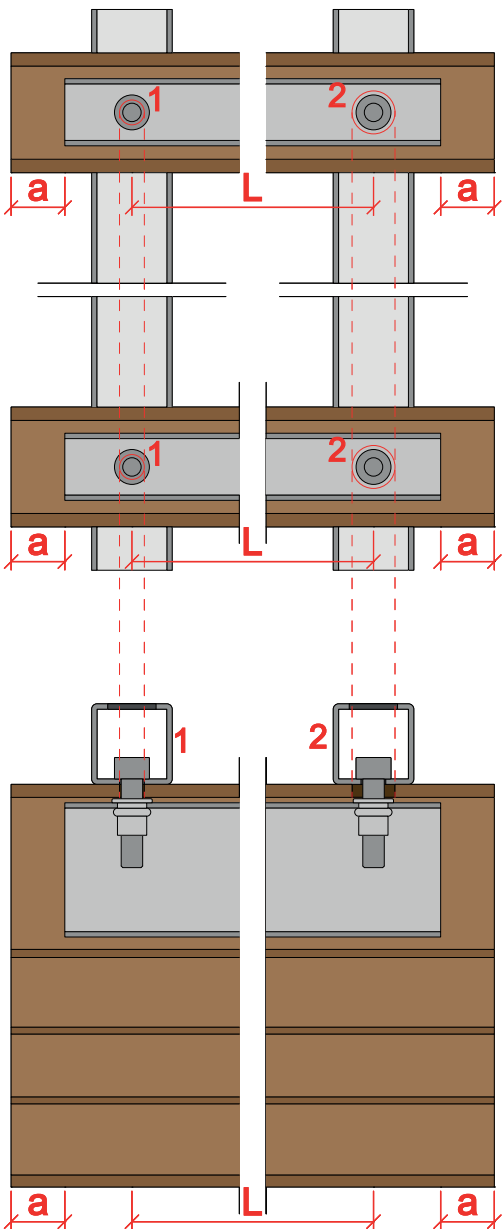
axonometric view

The systems shown are meant as a guide. The drawings show the key points for the design and mounting stages, such as metal reinforcements, fixed point and floating point. All components of the system must be adequately sized and verified by a qualified technician.

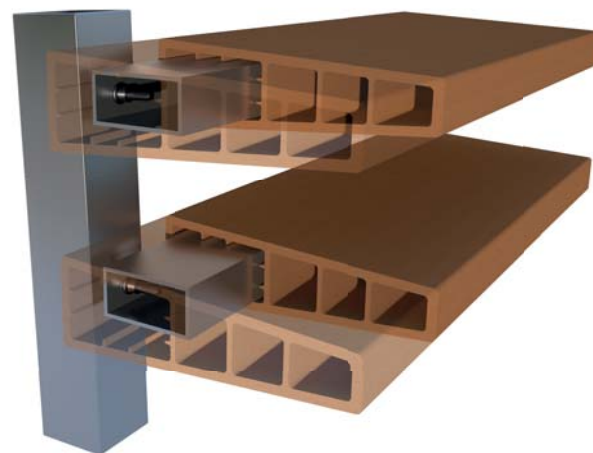


front section

vertical section



$a = 13/16''$
 $a = 1''3/4$ in case of installation of the WAJF15045C_WM cap
 1= FIXED POINT - \varnothing hole = \varnothing screw
 2= FLOATING POINT - \varnothing hole = $2L \times 0.003 + \varnothing$ screw [ft, in]



horizontal section

axonometric view

The systems shown are meant as a guide. The drawings show the key points for the design and mounting stages, such as metal reinforcements, fixed point and floating point. All components of the system must be adequately sized and verified by a qualified technician.