



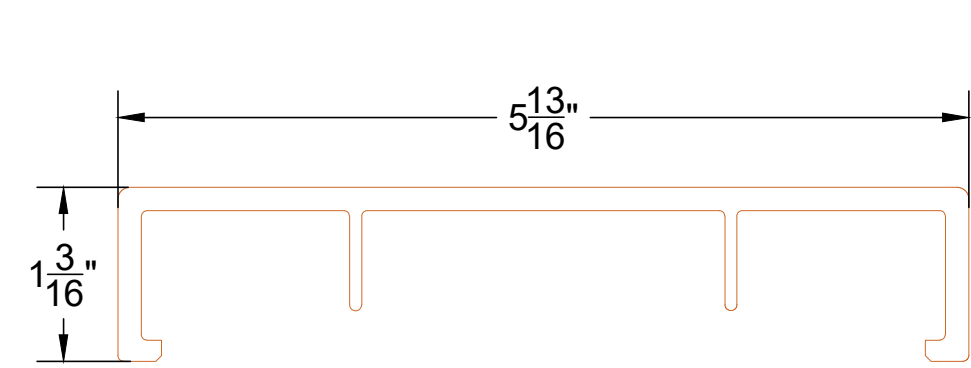
Cladding and Soffits

Florida

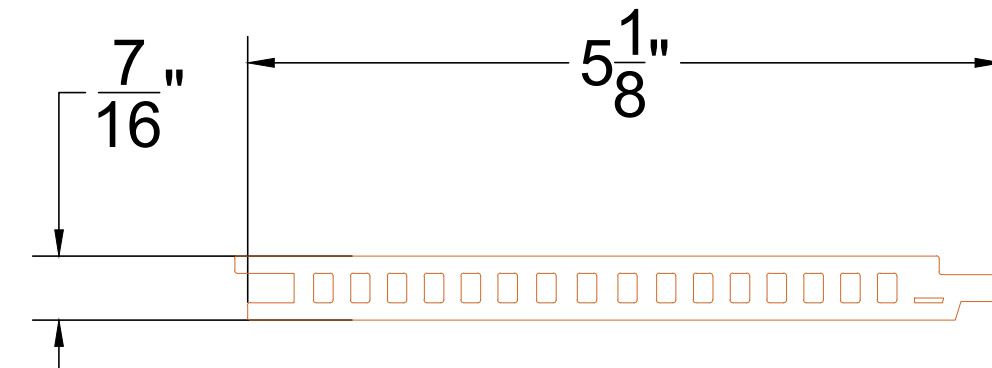
Shop Drawings Rev. 00
Formative Linear Systems
2080 SW 135TH Ave
Miami, FL 33182
Tel. 786.264.1044
www.buildfls.com

BILL OF MATERIALS:

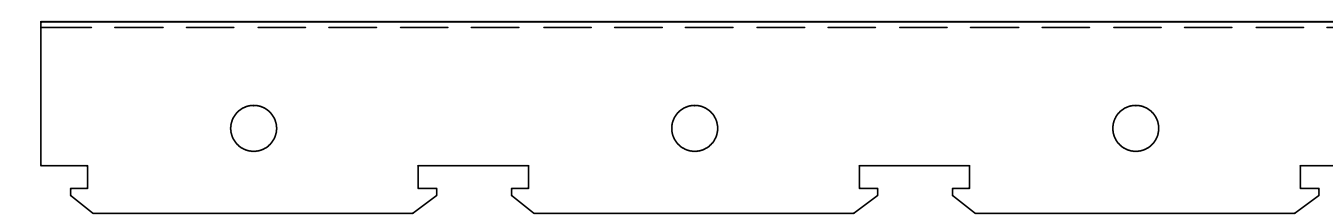
COMPONENT #	DESCRIPTION	DIMENSION	MATERIAL	MANUFACTURER	NOTES
①	WOODN TH14830HD-4. COLOR 99 CUBA	5 7/8" X 1 3/16" X 6'	WOODN	WOODN IND. s.r.l.	CLIPPED TO ③
②	WOODN Q13010HD COLOR 99 CUBA	5 1/8" X 7/16" X 6'	WOODN	WOODN IND. s.r.l.	CLIPPED TO ④
③	SUBSTRUCTURE PROFILE	SEE COMPONENTS	S235 STRUCTURAL STEEL CARRIER TRACK	WOODN IND. s.r.l.	SUPPORT FOR ①
④	ALUM. DOUBLE HAT CHANNEL	SEE COMPONENTS	6061-T6 ALUMINUM ALLOY/TEMPER	FLS	SUPPORT FOR ②
⑤	FIXING CLIP-ZCLW-KK2806	SEE COMPONENTS	AISI 304 STAINLESS STEEL	WOODN IND. s.r.l.	SUPPORT FOR ② & CLIPPED TO ④
⑥	FIXING CLIP- KK3015	SEE COMPONENTS	ZRHW - 3.5X16 - A2 - 750AN	WOODN IND. s.r.l.	CLIPPED TO ① & CLIPPED TO ③
⑦	SELF DRILLING SCREW	SEE COMPONENTS	AISI 304 STAINLESS STEEL Fy=43.2 Ksi, Fu=103.6 Ksi	BY OTHERS	SCREW FOR FIXING ⑤ TO ④
⑧	WALL FASTENERS	SEE COMPONENTS	AS PER ENGINEER DESIGN	BY OTHERS	SCREW FOR FIXING ③ & ④ TO STRUCTURE
⑨	CEILING FASTENERS	SEE COMPONENTS	AS PER ENGINEER DESIGN	BY OTHERS	SCREW FOR FIXING ③ & ④ TO CEILING
⑩	DOWEL PIN	SEE COMPONENTS	AS PER ENGINEER DESIGN	WOODN IND. s.r.l.	CLIPPED TO ②



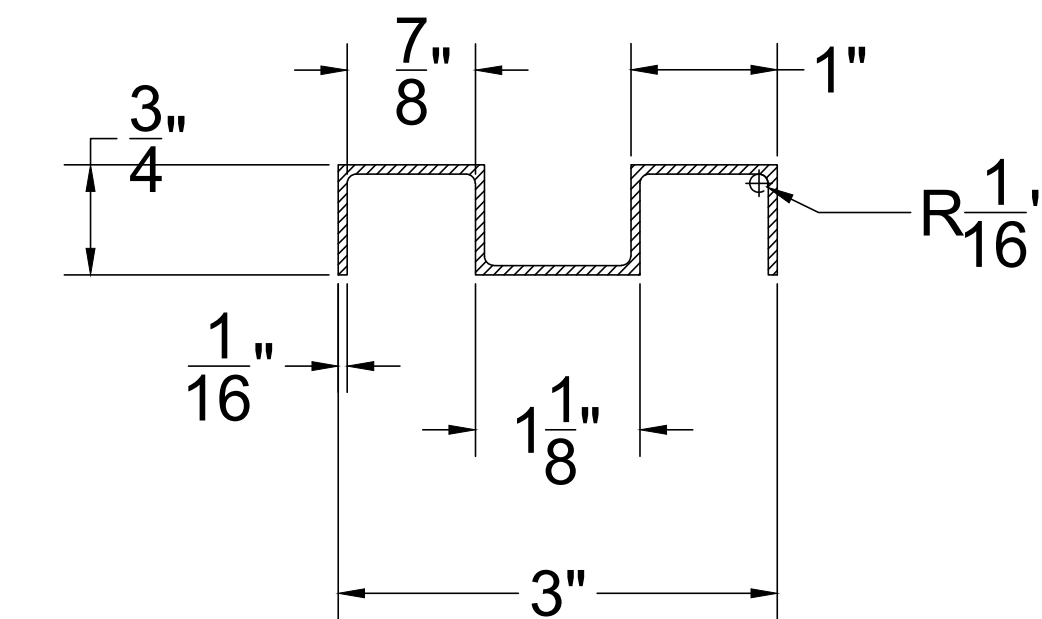
① TH14830HD-4 PROFILE



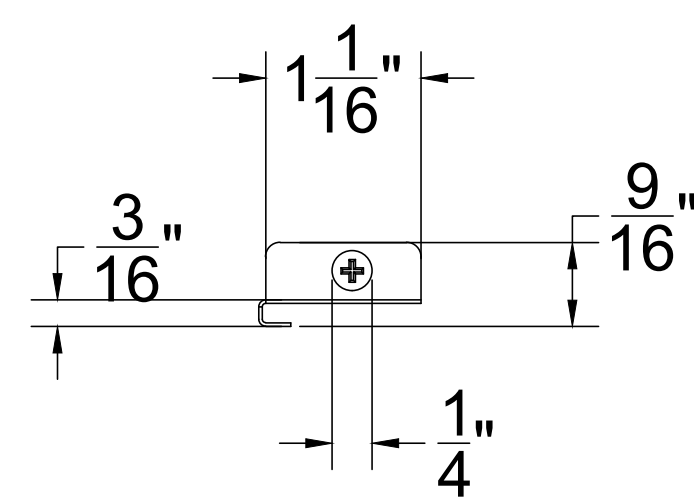
② Q13010HD PROFILE



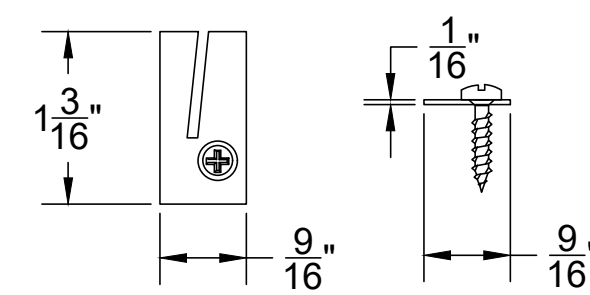
③ SUBSTRUCTURE PROFILE



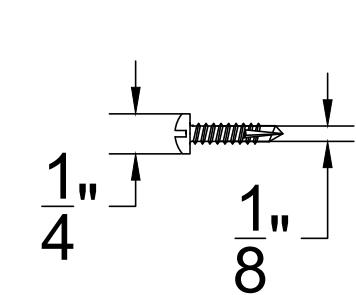
④ ALUM. DOUBLE HAT CHANNEL



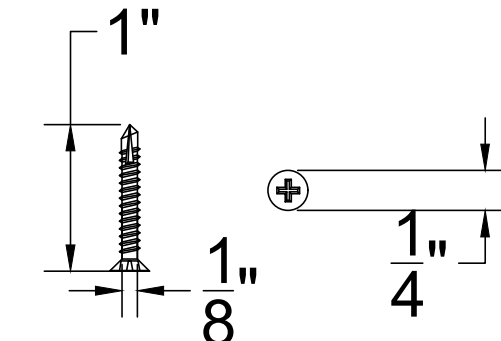
⑤ FIXING CLIP



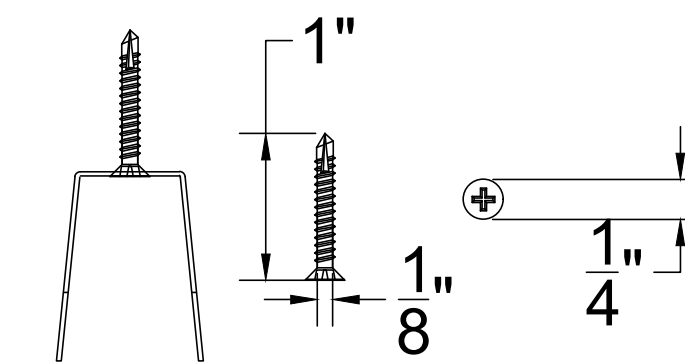
⑥ FIXING CLIP



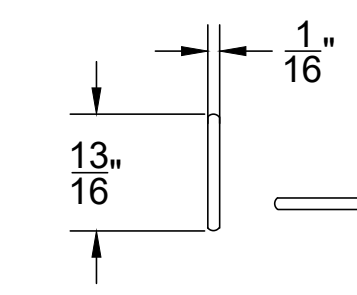
⑦ SELF DRILLING SCREW



⑧ WALL FASTENERS



⑨ CEILING FASTENERS



⑩ DOWEL PIN



Formative Linear Systems
2080 NW 135th Ave
Miami, FL 33182
Office: 786.264.1044
www.buildfls.com

Cladding & Soffit
Florida

Date:
06/22/2020

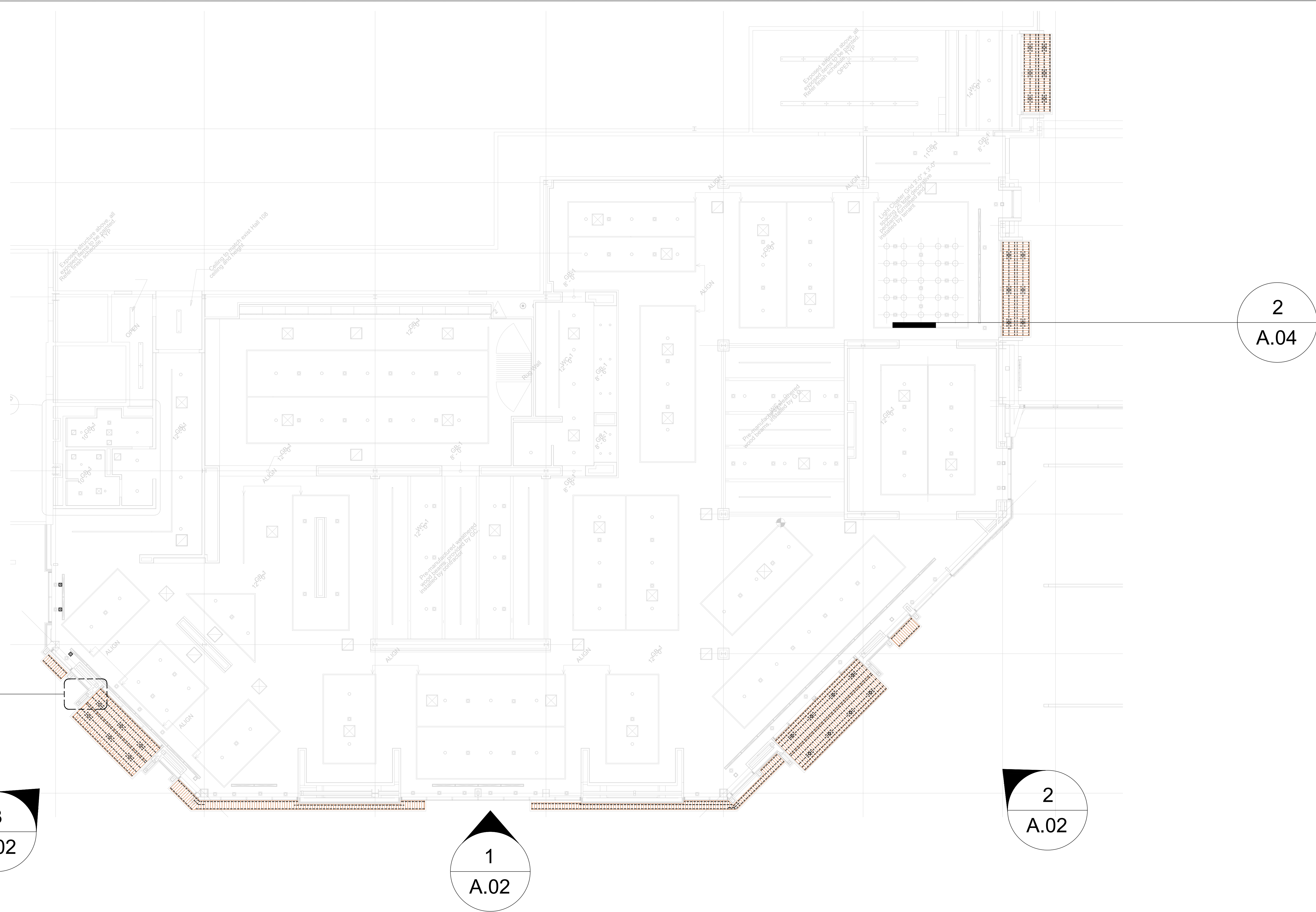
Revision No:
00

Description:

Prepared By: JM

AS SHOWN
SCALE

A.00
SHEET 00



A.01 - FIRST FLOOR_REFLECTED CEILING PLAN_ (A-121) - WOODN TH14830HD-4 CEILING SYSTEM

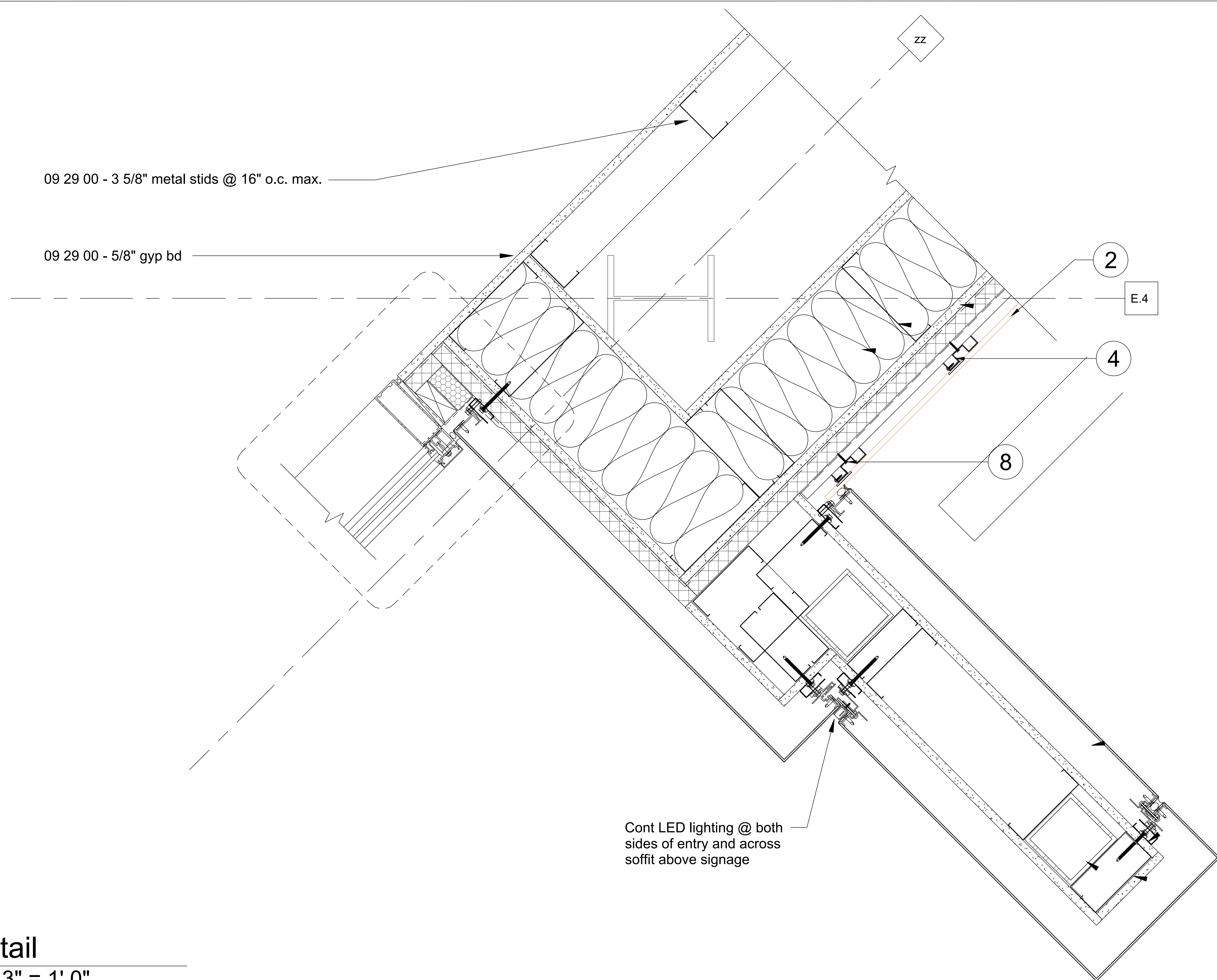
Scale: 1/8" = 1' 0"



Formative Linear Systems
 2080 NW 135th Ave
 Miami, FL 33182
 Office: 786.264.1044
 www.buildfls.com

Cladding & Soffit
 Florida

Date:	Revision No:	Description:	Prepared By: JM	
06/22/2020	00		AS SHOWN	A.01
			SCALE	SHEET 01



7. Detail

Scale: 3" = 1' 0"

A.06 - PLAN DETAIL_(A-501) - WOODN Q13010HD CLADDING SYSTEM

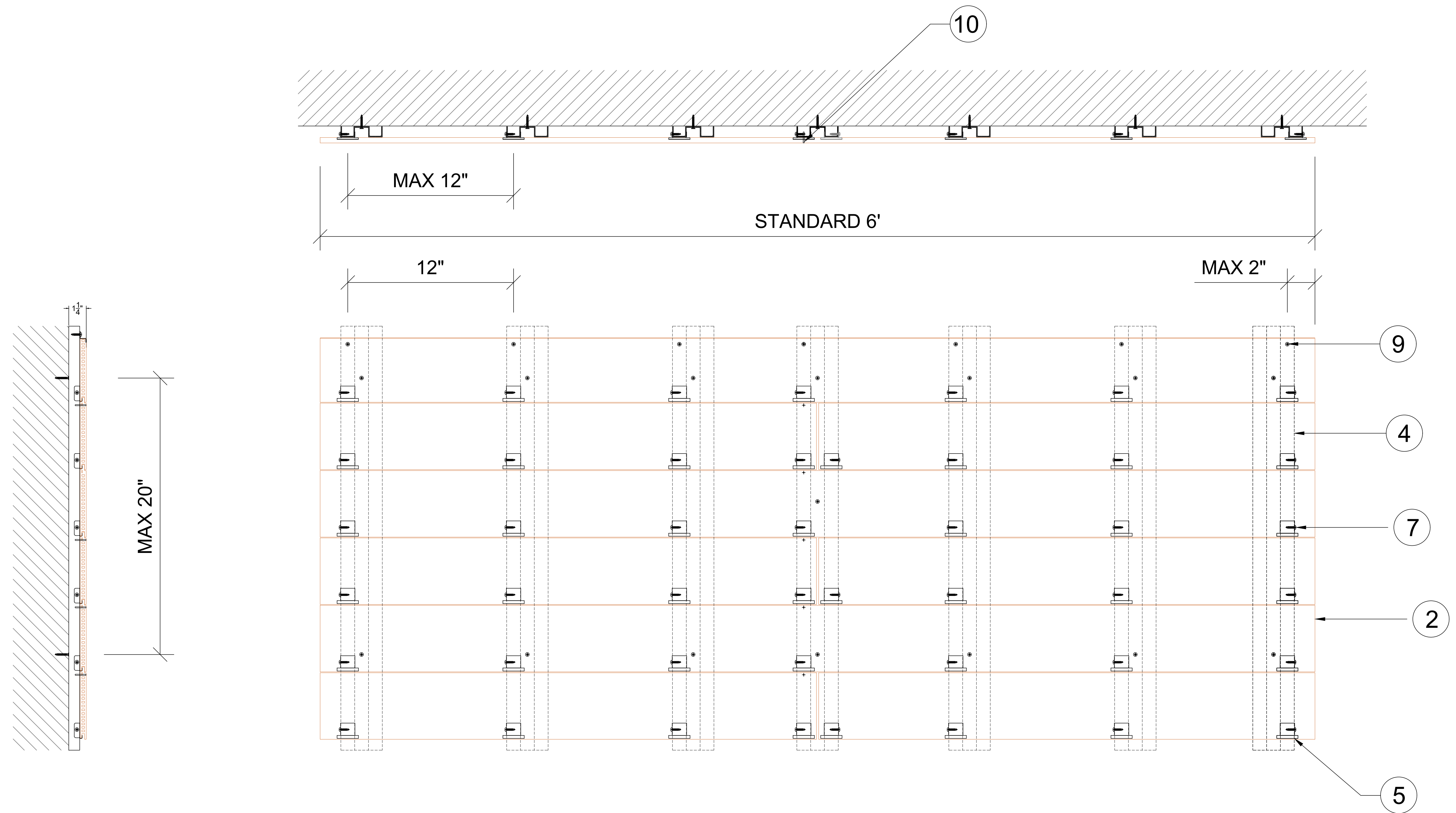
Scale: 3" - 1'-0"



Formative Linear Systems
 2080 NW 135th Ave
 Miami, FL 33182
 Office: 786.264.1044
 www.buildfls.com

Cladding & Soffit
 Florida

Date:	Revision No:	Description:	Prepared By: JM	
06/22/2020	00		AS SHOWN	A.06
			SCALE	SHEET 06



Scale: 3" = 1' 0"

A.07 - TYPICAL Q13010HD CLADDING SYSTEM INSTALLATION

Scale: As Indicated



Formative Linear Systems
 2080 NW 135th Ave
 Miami, FL 33182
 Office: 786.264.1044
 www.buildfls.com

Cladding & Soffit
 Florida

Date:
 06/22/2020

Revision No:
 00

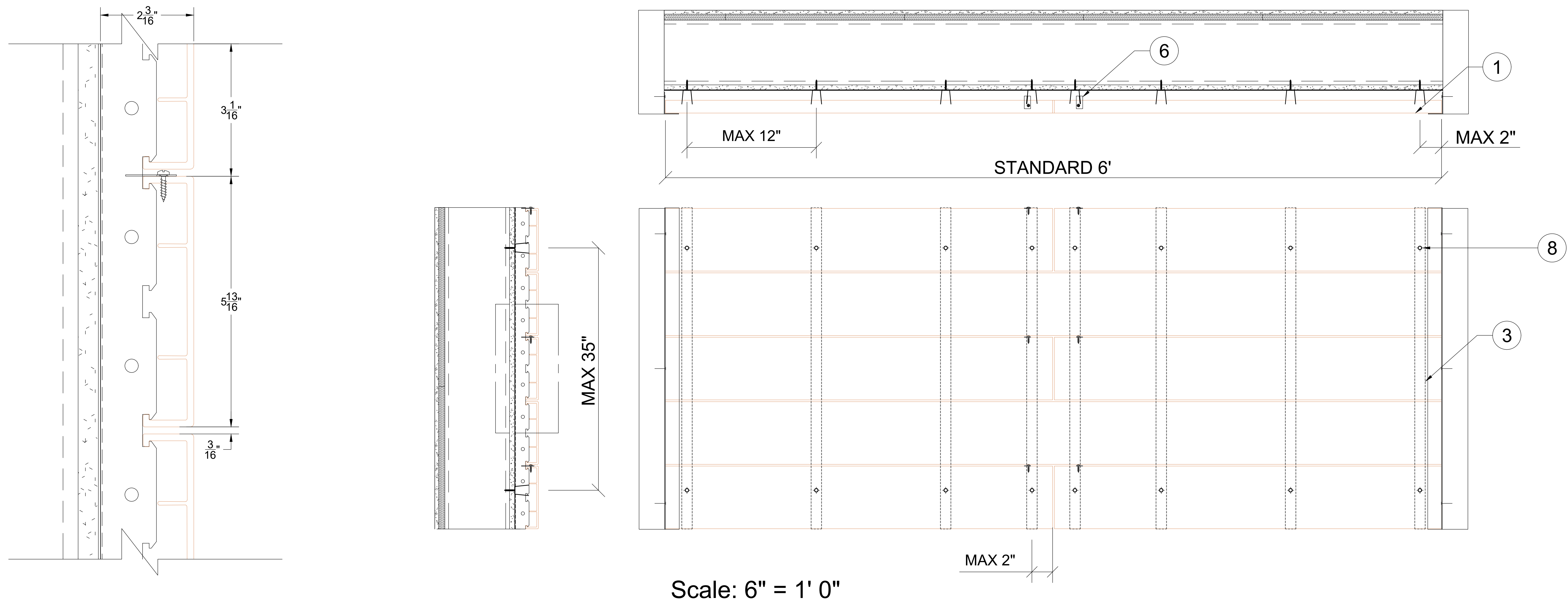
Description:

Prepared By: JM

AS SHOWN
 SCALE

A.07
 SHEET 07

MOUNTING SYSTEM



A.08 - TYPICAL TH14830HD-4_CEILING SYSTEM INSTALLATION & DETAIL

Scale: As Indicated



Formative Linear Systems
 2080 NW 135th Ave
 Miami, FL 33182
 Office: 786.264.1044
 www.buildfls.com

Cladding & Soffit
 Florida

Date:
 06/22/2020

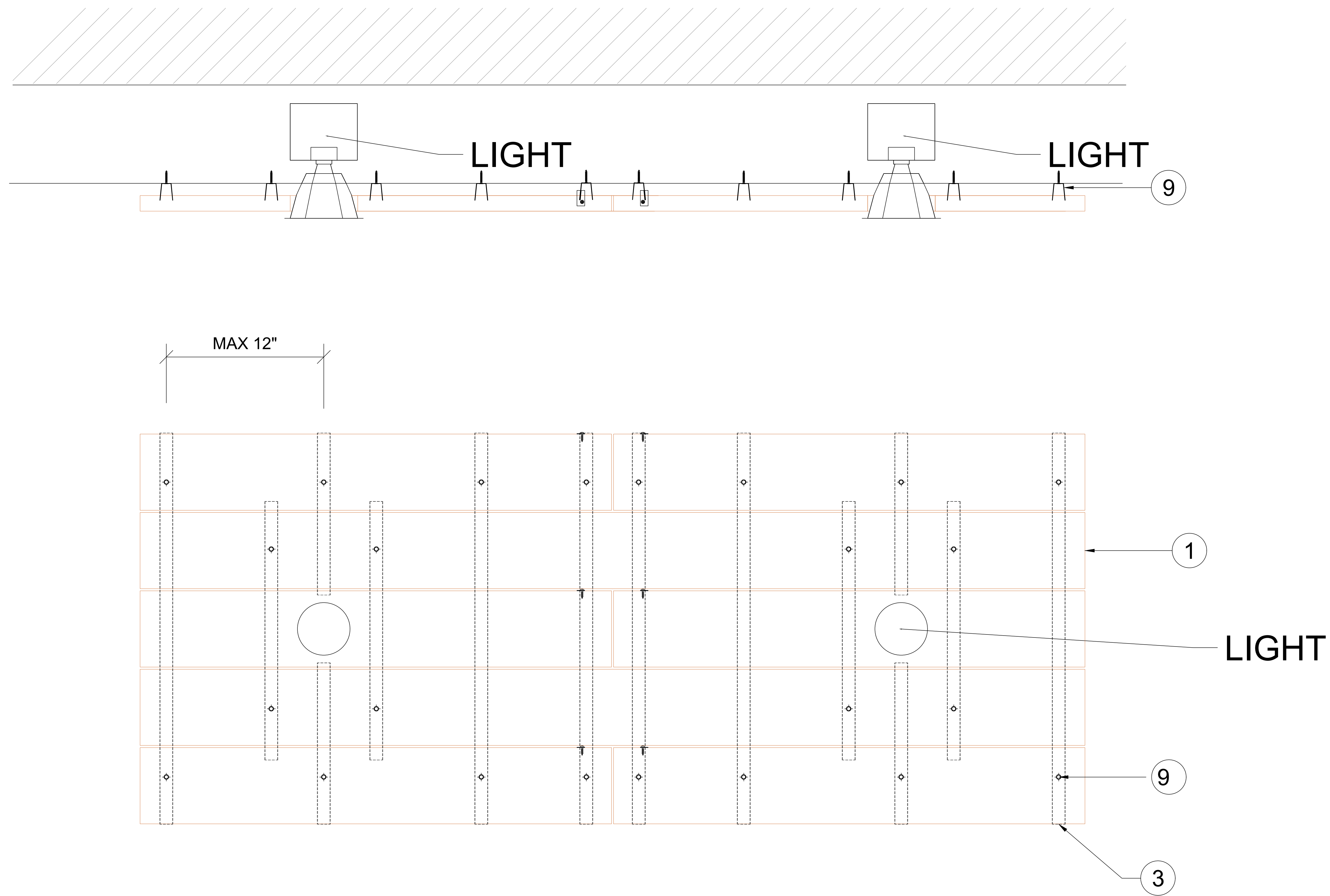
Revision No:
 00

Description:

Prepared By: JM

AS SHOWN
 SCALE

A.08
 SHEET 08



Scale: 3" = 1' 0"

A.09 - TYP. TH14830HD-4_ LIGHTS INSTALLATION

Scale: As Indicated



Formative Linear Systems
 2080 NW 135th Ave
 Miami, FL 33182
 Office: 786.264.1044
 www.buildfls.com

Cladding & Soffit
 Florida

Date:
 06/22/2020

Revision No:
 00

Description:

Prepared By: JM

AS SHOWN
 SCALE

A.09
 SHEET 09