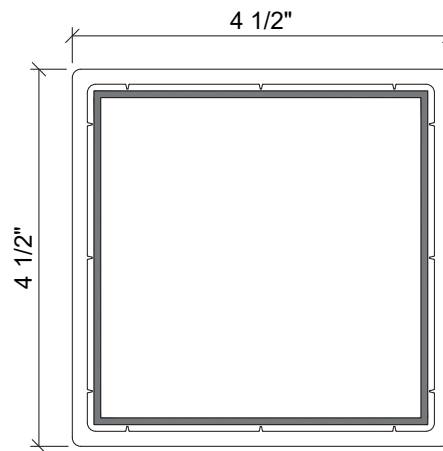


TZ113113



Woodn recommends to refer only to the values expressed in mm - the US values are to be considered approximate).



profile code	reinforcement dimensions [ft, in]	side [ft, in]	maximum horizontal span [inch]		maximum vertical span [inch]	
			aluminum	steel	aluminum	steel
TZ113113	100 x 100 x 2 mm (≈ 3" 15/16 x 3" 15/16 x 5/64")	≈ 4" 1/2	≈ 161"	≈ 185"	≈ 224"	≈ 295"

Maximum spans calculated considering:

- maximum permanent deformation due to own weight 1/8"
- maximum non-permanent deformation 1" 3/16 considering a standard wind load of 30.73 pound/ft²