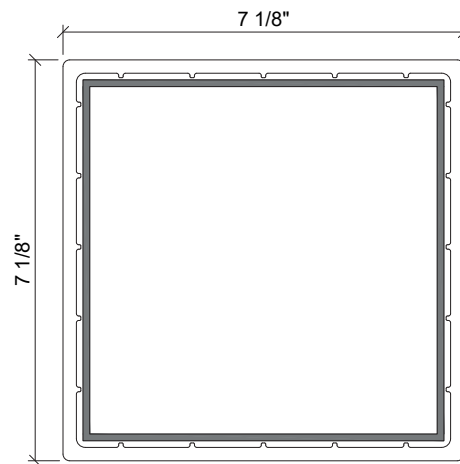


# TZ180180



Woodn recommends to refer only to the values expressed in mm - the US values are to be considered approximate).



profile code	reinforcement dimensions [ft, in]	side [ft, in]	maximum horizontal span [inch]		maximum vertical span [inch]	
			aluminum	steel	aluminum	steel
<b>TZ180180</b>	163 x 163 x 3 mm (≈ 6"3/8 x 6"3/8 x 1/8")	≈ 7"1/8	≈ 220"	-	≈ 323"	-

Maximum spans calculated considering:

- maximum permanent deformation due to own weight 1/8"
- maximum non-permanent deformation 1" 3/16 considering a standard wind load of 30.73 pound/ft<sup>2</sup>